

RevV4 Valves

Hankscraft H2O Products RevV4 valves are designed with high flow rates to handle any residential or light commercial application. They feature innovative ceramic discs that are diamond-hard for ultimate performance and reliability. The discs are abrasion and corrosion resistant, extending the life of the valve and significantly reducing maintenance costs.

RevV4 valves have 7 advanced programming options with fully adjustable cycles for maximum system efficiency and their intelligent metering with up-flow regeneration lowers salt usage. They have signal output for external devices, program functions that remain in long term memory, and 72-hour memory backup should a power outage occur, giving you the confidence that your customers are receiving a cost-effective, high-quality water treatment solution.

Hankscraft's RevV4 valves have an interlock function to connect multiple valves in series or in parallel. There is also an alternate interlock for use with a 3-way ball valve. Its simple, yet powerful user interface has an easy to read LCD display and the valve offers remote handling to accept input from a PLC or computer. Advanced work modes are available with adjustable settings and three different cycle sequences to get the exact configuration needed for any job.

RevV4 Valves Feature:

- Ceramic discs for longer life and reduced maintenance
- Highly configurable with easy to use program interface
- Long-term memory for program functions
- 72-hour memory backup

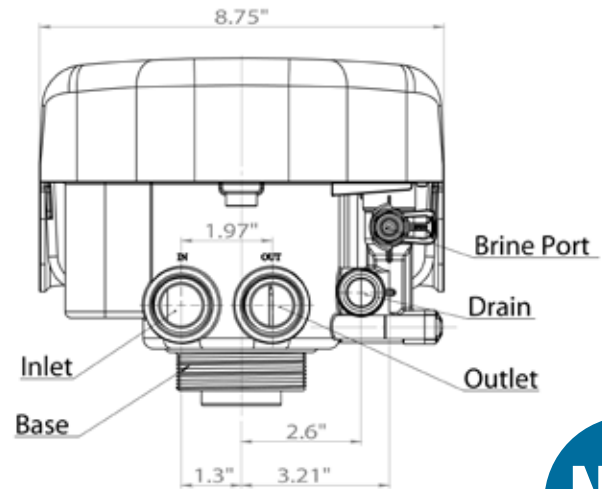
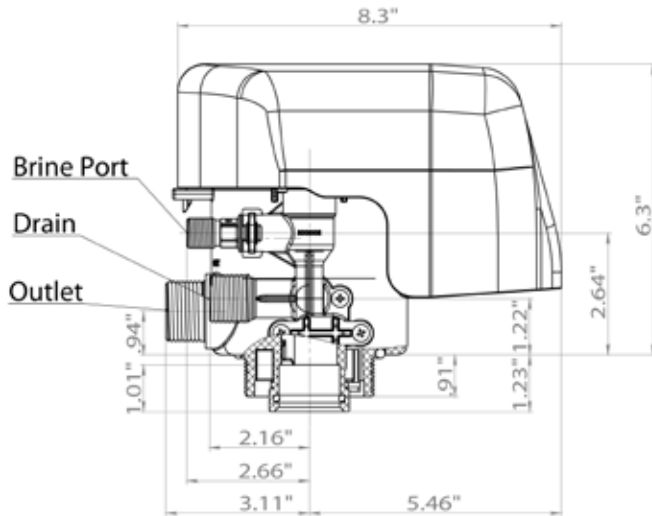
Contact a local H2O Products dealer for your custom water treatment solution!

 **PARGREEN**
WATER
TECHNOLOGIES

224 CAPITOL DR. ADDISON, IL. 60101
630.628.1330
SALES@PARGREEN.COM



RevV4 Valves



Electrical / Operational Specifications

Valve		Working Conditions	
Valve Model	RevV4	Operational Pressure	22 psi - 87 psi
Transformer Input	100-240VAC / 50-60Hz	Operational Water Temp.	41° F - 113° F
Transformer Output	12VDC / 2A	Inlet Water Turbidity	< 5NTU

Control Valve Parameters

Model	Connection Dimensions						Hard Water Bypass	Maximum Water Capacity
	Inlet	Outlet	Drain	Brine	Base	Riser Tube		
RevV4	1" NPT	1" NPT	1/2" Barbed	3/8"	2.5" - 8NPSM	32mm	Yes	20.7 gpm (14.5 psi Pressure Drop)

Flow Rate (Valve Only)

Service @ 15 psi Drop	Peak Service @ 25 psi Drop	Peak Backwash @ 25 psi Drop	CV Service @ 1 psi Drop
21 gpm	25.5 gpm	7 gpm	5.56 gpm

Additional Specifications

Valve Material	Height From Top of Tank	Meter Accuracy	Weight
Noryl® Plastic	7" / 180mm	±5%	2.27kg / 5.0 lbs.